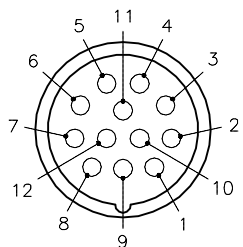



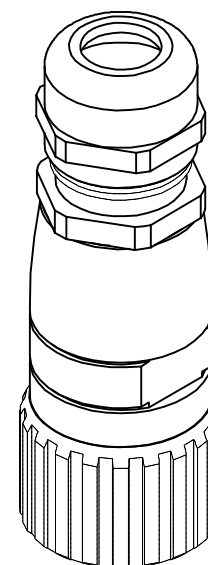
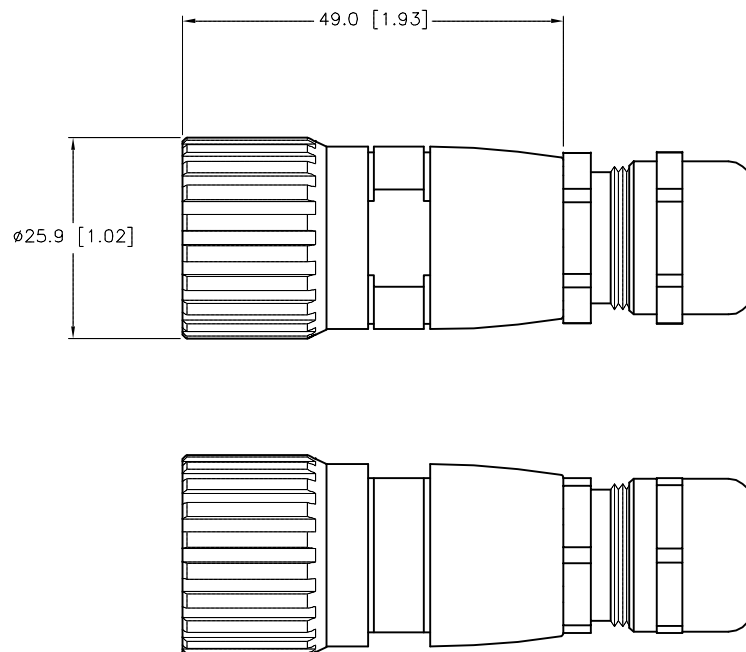
FEMALE END VIEW



 M23 connector

SPECIFICATIONS

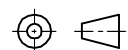
|                               |                                 |
|-------------------------------|---------------------------------|
| CONTACT CARRIER MATERIAL      | PBT OR NYLON                    |
| CONTACT MATERIAL/PLATING      | BRASS/GOLD                      |
| COUPLING NUT MATERIAL/PLATING | BRASS/NICKEL                    |
| GASKET                        | PERBUNAN OR FLUOR RUBBER        |
| RATED CURRENT [A]             | 8.0 A                           |
| RATED VOLTAGE [V]             | 300 V                           |
| MAX. CONDUCTORS SIZE          | 12/18 AWG                       |
| TERMINATION METHOD            | SOLDER                          |
| TEMPERATURE                   | -40°C to 125°C (-40°F to 257°F) |
| PROTECTION CLASS              | IEC IP 65                       |
| CABLE GRIP RANGE              | 4mm (.157") TO 10mm (.394")     |



SOURCE DRAWING - FOR REFERENCE ONLY

NOTES:

1. USE TOOL PART NUMBER "CK-TOOL" TO AID WITH ASSEMBLY OF FIELD-WIREABLE

|   |   |  |               |  |                           |
|---|---|--|---------------|--|---------------------------|
| RELATED DOCUMENTS<br>1.<br>2.<br>3.<br>4. | 3RD ANGLE PROJECTION<br> | THIS DRAWING IS CONFIDENTIAL AND THE PROPERTY OF TURCK INC. USE OF THIS DOCUMENT WITHOUT WRITTEN PERMISSION IS PROHIBITED. |               | 3000 CAMPUS DRIVE<br>MINNEAPOLIS, MN 55441<br>1-800-544-7769<br>(763) 553-7300<br>(763) 553-0708 fax<br>www.turck.us |                           |
|   | MATERIAL  | DRFT RDS   | DATE 02/06/02 | DESCRIPTION<br>CK 12-0   |                           |
| FINISH                                    | ALL DIMENSIONS DISPLAYED ON THIS DRAWING ARE FOR REFERENCE ONLY   | APVD   | SCALE 1=1.0   | IDENTIFICATION NO.<br>U0105  |                           |
|   | CONTACT TURCK FOR MORE INFORMATION  | UNIT OF MEASUREMENT<br><b>MILLIMETER [ INCH ]</b>  |               | REV<br>D   |                           |
| D   | ADD NOTES   | RDS  | 10/09/20      | 76214  |                           |
| REV                                       | DESCRIPTION   | BY   | DATE          | ECO NO.  | DO NOT SCALE THIS DRAWING |
|   |   |  |               |  | FILE: U0105               |
|   |   |  |               |  | SHEET 1 OF 1              |