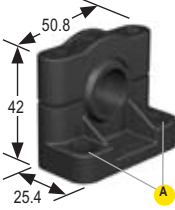
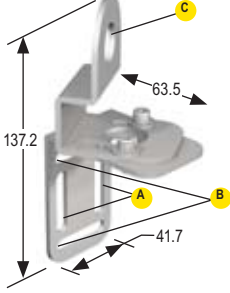
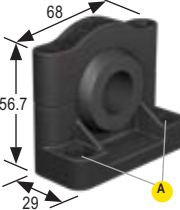
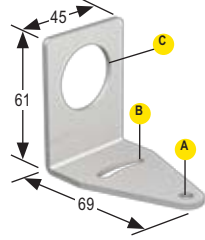











SMB18A		SMB18FA		SMB18FM		SMB18Q	
All measurements in mm		All measurements in mm		All measurements in mm		All measurements in mm	
Hole center spacing: A to B = 24.2 Hole size: A = \varnothing 4.6, B = 17.0 x 4.6, C = \varnothing 18.5		A = 3/8 - 16 x 50.8 Hole size: B = \varnothing 18.1		N/A		Hole center spacing: A to B = 24.2 Hole size: A = \varnothing 4.6, B = 17.0 x 4.6, C = \varnothing 19.0	
<ul style="list-style-type: none"> Right-angle mounting bracket with a curved slot for versatile orientation 12-ga. stainless steel, 18 mm sensor mounting hole Clearance for M4 (#8) hardware 		<ul style="list-style-type: none"> Swivel bracket with tilt and pan movement for precision adjustment 18 mm sensor mounting hole 12-ga. 304 stainless steel 		<ul style="list-style-type: none"> Two-piece thermoplastic through-mount bracket Mounting nut (M22 x 1.5) and outer flange (M22 x 1.5 external, M18 x 1 internal) 		<ul style="list-style-type: none"> Right-angle flanged bracket 18 mm sensor mounting hole 12-ga. stainless steel 	
Barrel Mount		Barrel Mount		Barrel Mount		Barrel Mount	
<p>Used with</p>		<p>Used with</p>		<p>Used with</p>		<p>Used with</p>	
QS18 MINI-BEAM M18 S18 T18 T-GAGE M18T S18U	QS18U Q45UR M18C2 Q45UR S18C2 T18U EZ-LIGHT T18 EZ-LIGHT M18	QS18 MINI-BEAM S18/M18/T18 S18U QS18U Q45UR M18C2	Q45UR S18C2 T18U T-GAGE M18T EZ-LIGHT M18 EZ-LIGHT T18	QS18 M18 S18 T18	T-GAGE M18T S18U QS18U	QS18 MINI-BEAM S18 M18 T18 S18U	QS18U Q45UR S18C2 Q45UR M18C2 T18U EZ-LIGHT T18 EZ-LIGHT M18
Base Mount		Bracket-to-Bracket				Base Mount	
<p>Used with</p>		<p>Used with</p>				<p>Used with</p>	
Q25		SMBQS18A	SMBQS18Y			Q25	
		Base Mount					
		<p>Used with</p>					
		Q25					

SMB18SF		SMB18UR		SMB3018SC		SMB30A	
							
All measurements in mm		All measurements in mm		All measurements in mm		All measurements in mm	
Hole center spacing: A = 36.0 Hole size: A = \varnothing 5.3		Hole center spacing: A = 25.4, B = 46.7 Hole size: A, B = 6.9 x 32.0, C = \varnothing 18.3		Hole center spacing: A = 50.8 Hole size: A = \varnothing 7.0		Hole center spacing: A to B = 40.0 Hole size: A = \varnothing 6.3, B = 27.3 x 6.3, C = \varnothing 30.5	
<ul style="list-style-type: none"> • 18 mm swivel bracket with M18 x 1 internal thread • Black thermoplastic polyester • Stainless steel swivel locking hardware included 		<ul style="list-style-type: none"> • 2-piece universal swivel bracket • 300 series stainless steel • Stainless steel swivel locking hardware included • Mounting hole for 18 mm sensor 		<ul style="list-style-type: none"> • 18 mm swivel side or barre mount bracket • Black reinforced thermoplastic polyester • Stainless steel swivel locking hardware included 		<ul style="list-style-type: none"> • Right-angle bracket with curved slot for versatile orientation • Clearance for M6 (1/4") hardware • Mounting hole for 30 mm sensor • 12-ga. stainless steel 	
Barrel Mount		Barrel Mount		Barrel Mount		Barrel Mount	
							
Used with		Used with		Used with		Used with	
QS18 MINI-BEAM S18 M18 T18 T-GAGE M18T S18U	QS18U Q45UR S18C2 Q45UR M18C2 T18U EZ-LIGHT T18 EZ-LIGHT M18	QS18* MINI-BEAM S18 M18 T18 T-GAGE M18T S18U	QS18U* Q45UR S18C2 Q45UR M18C2 T18U EZ-LIGHT T18 EZ-LIGHT M18	M18/S18/T18 S18U Q45UR S18C2	Q45UR M18C2 T18U EZ-LIGHT T18	QS30 SM30/SMI30 S30	T30 T30U EZ-LIGHT T30
Base Mount		Base Mount		Side Mount		Base Mount	
							
Used with		Used with		Used with		Used with	
Q25		Q25		QS18 MINI-BEAM	QM42/QMT42 QS18U	Q40 Q45 OMNI-BEAM OTB/LTB VTB STB Q45U	Q45UR QT50R QT50U K50 EZ-LIGHT K50L
		* Contact factory to verify compatibility with integral QD models.					
				Used with			
				Q25			

BRACKETS

CABLES

RETROREFLECTORS

ENCLOSURES/
LENS SHIELDS

MISCELLANEOUS