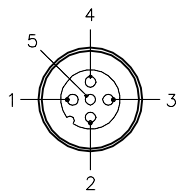
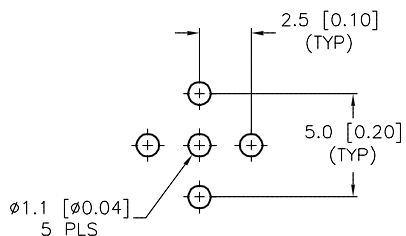


MALE END VIEW

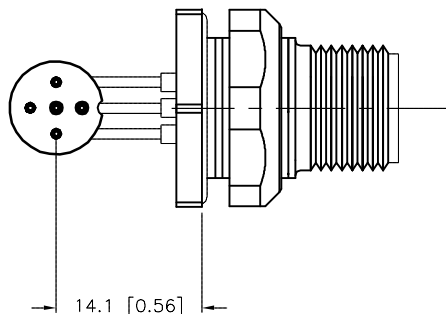
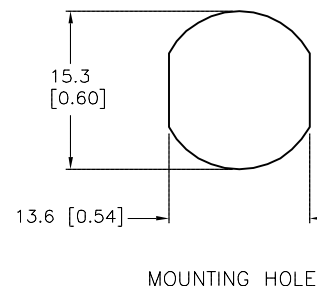
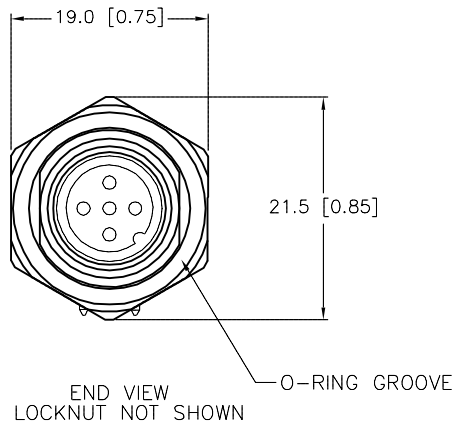
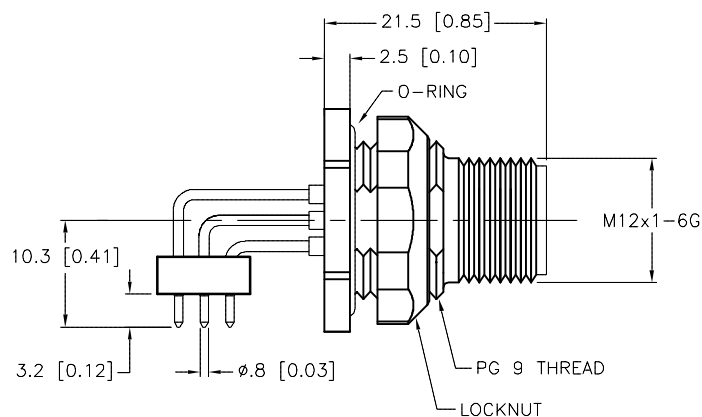


BOARD LAYOUT (2:1)



SPECIFICATIONS

CONTACT CARRIER MATERIAL	NYLON OR TPU
CONTACT MATERIAL/PLATING	BRASS/GOLD
RATED CURRENT [A]	4.0 A
RATED VOLTAGE [V]	250 V
HOUSING, LOCKNUT MATERIAL/PLATING	BRASS/NICKEL
CONDUCTORS	PCB PINS
TEMPERATURE RATING	-40°C to +90°C (-40°F to +194°F)
PROTECTION CLASS	MEETS NEMA 1,3,4,6P AND IEC IP67
MAX. PANEL THICKNESS	3.0 [0.12]



SOURCE DRAWING - FOR REFERENCE ONLY

NOTE: SPACER PERMANENTLY ATTACHED TO PINS FOR ALIGNMENT.

RELATED DOCUMENTS 1. 2. 3. 4.	3RD ANGLE PROJECTION 	THIS DRAWING IS CONFIDENTIAL AND THE PROPERTY OF TURCK INC. USE OF THIS DOCUMENT WITHOUT WRITTEN PERMISSION IS PROHIBITED.		3000 CAMPUS DRIVE MINNEAPOLIS, MN 55441 1-800-544-7769 (763) 553-7300 (763) 553-0708 fax turck.com	
	MATERIAL BRASS	ALL DIMENSIONS DISPLAYED ON THIS DRAWING ARE FOR REFERENCE ONLY  CONTACT TURCK FOR MORE INFORMATION	DRFT CBM DATE 09/19/00	DESCRIPTION WFSD 4.5-PCB	
FINISH NICKEL-PLATED	APVD DF SCALE 1=.75		UNIT OF MEASUREMENT MILLIMETER [ INCH ]		IDENTIFICATION NO. U1110-50
DO NOT SCALE THIS DRAWING		FILE: U1110-50			SHEET 1 OF 1

D	UPDATE KEYWAY ORIENTATION TO MATCH MFG DRAWING	RDS	06/15/16	55309
REV	DESCRIPTION	BY	DATE	ECO NO.