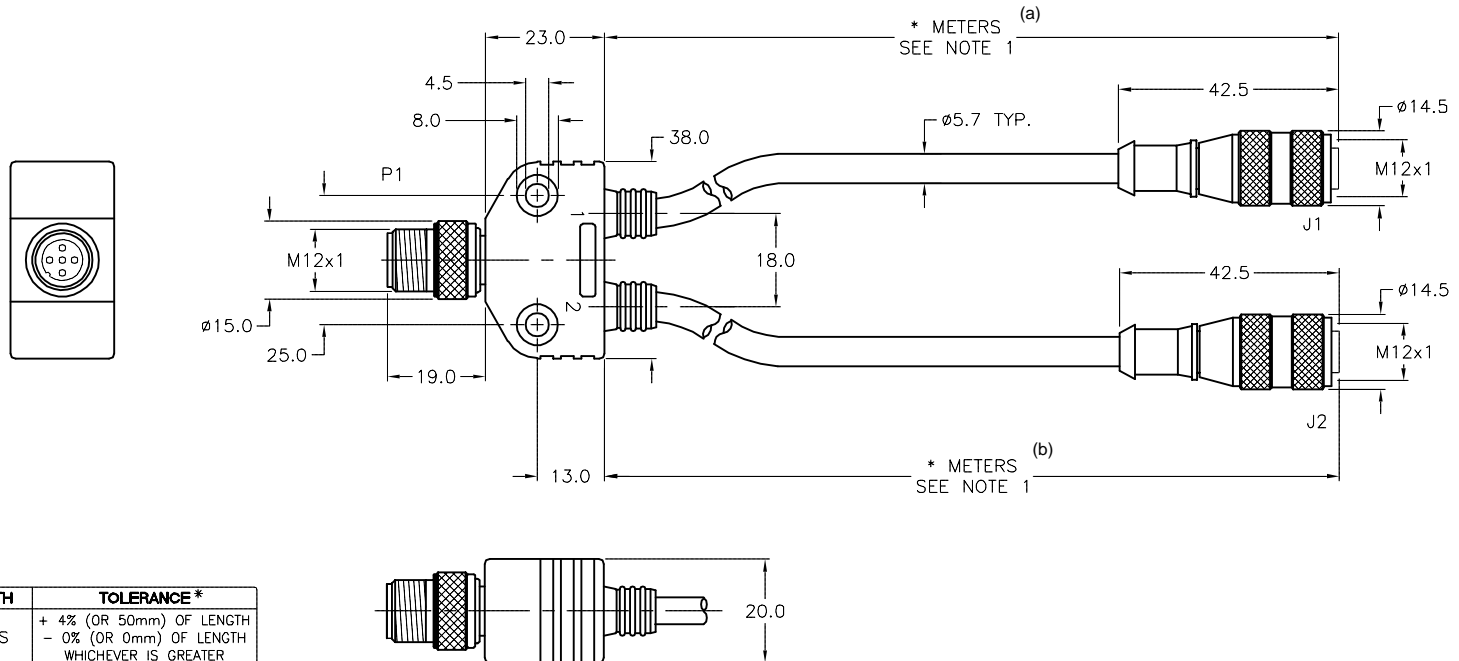


MALE END VIEW	FEMALE END VIEW	WIRING DIAGRAM	SPECIFICATIONS	
			CONTACT CARRIER MATERIAL	NYLON OR TPU
			MOLDED HEAD MATERIAL/COLOR	TPU/YELLOW
			CONTACT MATERIAL/PLATING	BRASS/GOLD
			COUPLING NUT MATERIAL/PLATING	BRASS/NICKEL
			RATED CURRENT [A]	4.0 A
			RATED VOLTAGE [V]	250 V
			OUTER JACKET MATERIAL/COLOR	PVC/GRAY
			CONDUCTOR INSULATION MATERIAL	PVC
			NUMBER OF CONDUCTOR [AWG]	5x22 AWG
			TEMPERATURE RATING	-40°C to +105°C (-40°F to +221°F)
			PROTECTION CLASS	MEETS NEMA 1,3,4,6P AND IEC IP67



CABLE LENGTH	TOLERANCE*
ALL LENGTHS	+ 4% (OR 50mm) OF LENGTH - 0% (OR 0mm) OF LENGTH WHICHEVER IS GREATER
STRIP LENGTH	TOLERANCE*
0-7mm	±0.5mm
8-29mm	±1.0mm
30-49mm	±2.0mm
50-69mm	±3.0mm
70-100mm	±4.0mm
OVER 100mm	±5.0mm

**\*UNLESS OTHERWISE SPECIFIED**

NOTES:

- "\*" INDICATES CABLE LENGTH IN METERS. CONTACT TURCK TO ORDER SPECIFIC LENGTHS.
- "/S651" DESIGNATES PARALLEL WIRING.

SOURCE DRAWING - FOR REFERENCE ONLY

RELATED DOCUMENTS 1. 2. 3. 4.	3RD ANGLE PROJECTION 	THIS DRAWING IS CONFIDENTIAL AND THE PROPERTY OF TURCK INC. USE OF THIS DOCUMENT WITHOUT WRITTEN PERMISSION IS PROHIBITED.		3000 CAMPUS DRIVE MINNEAPOLIS, MN 55441 1-800-544-7769 (763) 553-7300 (763) 553-0708 fax www.turck.us		
		DRFT	RJP	DATE	02/27/96	DESCRIPTION VB2-FSM 4.5/2RK 4.5T-*/*/S651 (a) (b)
		SEE SPECIFICATIONS		APVD	SCALE	
		FINISH	ALL DIMENSIONS DISPLAYED ON THIS DRAWING ARE FOR REFERENCE ONLY	UNIT OF MEASUREMENT <b>MILLIMETERS</b>		IDENTIFICATION NO.
SEE SPECIFICATIONS	CONTACT TURCK FOR MORE INFORMATION			DO NOT SCALE THIS DRAWING	FILE: 777000942	

H	UPDATE MALE COUPLING NUT	RDS	04/24/18	56902
REV	DESCRIPTION	BY	DATE	ECO NO.