

GW






Fitting






Port size M3 to 1/2 (Rc or R)

● Wide connection fittings and models.








■ Straight






Single straight/ GWS□-□	Single straight/ GWS□-□-S	Female straight/ GWS□-□-M	Bulkhead female/ GWS□-□-E	Bulkhead/ GWS□-□-X
				
Compatible tube O.D. ø	Compatible tube O.D. ø	Compatible tube O.D. ø	Compatible tube O.D. ø	Compatible tube O.D. ø
4	3.2	4	4	4
6	4	6	6	6
8	6	8	8	8
10	8	10	10	10
12	10	12	12	12
16	12	12	12	12
·Refer to page: 828	·Refer to page: 828	·Refer to page: 828	·Refer to page: 828	·Refer to page: 829

Bulkhead female connector/ GWM□-□-X	Straight/ GWS□-0	Different diameter straight/ GWS□-0	Plug reducer/ GWS□-□P	Plug/ GWP□-0
				
Compatible tube O.D. ø	Compatible tube O.D. ø	Compatible tube O.D. ø	Compatible tube O.D. ø	Fitting port size ø
4	4	4/6	4	4
6	6	6/8	6	6
8	8	8/10	8	8
10	10	10/12	10	10
12	16			12
·Refer to page: 829	·Refer to page: 829	·Refer to page: 829	·Refer to page: 830	·Refer to page: 830




















■ Elbow

Plug reducer/ GWP□-0	Single elbow/ GWL□-□	Long elbow/ GWL□-□-L	Single 45° elbow/ GWL□-□-45	Turn elbow/ GWL□-□-T
				
Fitting port size ø	Compatible tube O.D. ø	Compatible tube O.D. ø	Compatible tube O.D. ø	Compatible tube O.D. ø
4/6	4	4	4	4
6/8	6	6	6	6
8/10	8	8	8	8
10/12	10	10	10	10
	12	12	12	12
	16			
·Refer to page: 830	·Refer to page: 830	·Refer to page: 831	·Refer to page: 831	·Refer to page: 831

■ Tee

Elbow/ GWL□-0	Double tee/ GWT□-□	D tee/ GWT□-□-D	Tee/ GWT-0	Y tee/ GWY□-0
				
Compatible tube O.D. ø	Compatible tube O.D. ø	Compatible tube O.D. ø	Compatible tube O.D. ø	Compatible tube O.D. ø
4	4	4	4	4/4
6	6	6	6	6/6
8	8	8	8	8/8
10	10	10	10	10/10
12	12	12	12	12/12
16	12	12	12	6/4
				8/6
				10/8
				12/10
·Refer to page: 831	·Refer to page: 832	·Refer to page: 832	·Refer to page: 832	·Refer to page: 832

- F.R.L.
- F.R.
- F (Filtr)
- R (Reg)
- L (Lub)
- Drain Separ
- Mech Press SW
- Res press exh valve
- SlowStart
- Anti-bac/Bac-remove Filtr
- Film Resist FR
- Oil-Prohr
- Med Press FR
- No Cu/ PTFE FRL
- Outdrs FRL
- Adapter Joiner
- Press Gauge
- CompFRL
- LgFRL
- PrecsR
- VacF/R
- Clean FR
- ElecPneur
- AirBoost
- Speed Ctrl
- Silncr
- CheckV/ other
- Fit/Tube
- Nozzle
- Air Unit
- PrecsCompn
- Electro Press SW
- ContactSW
- AirSens
- PresSW Cool
- Air Flo Sens/Ctrl
- WaterRiSens
- TotAirSys (Total Air)
- TotAirSys (Gamma)
- Gas generator
- RefrDry
- DesicDry
- HiPolymDry
- MainFiltr
- Dischrg etc
- Ending

Double Y tee/ GWY□-□	Cross/ GWCR□-0	2-port turn elbow/ GWL□-□-2T	Tetrapod (with R)/ GWTR□-□	FY (with R)/ GWFY□-□
				
Compatible tube O.D. ø 4 6 8 10 12 ·Refer to page: 833	Compatible tube O.D. ø 8 10 12 ·Refer to page: 833	Compatible tube O.D. ø 4 6 8 10 12 ·Refer to page: 833	Compatible tube O.D. ø 4 6 8 10 12 ·Refer to page: 833	Compatible tube O.D. ø 4 6 8 10 12 ·Refer to page: 834
Double Y (with R)/ GWWY□-□	Tetrapod/ GWTR□-0	FY/ GWFY□-0	Double Y/ GWWY□-0	Blanking plug/ GWP□-B
				
Compatible tube O.D. ø 4 6 ·Refer to page: 834	Compatible tube O.D. ø 4 6 8 10 12 ·Refer to page: 834	Compatible tube O.D. ø 4 6 8 10 12 ·Refer to page: 834	Compatible tube O.D. ø 6/4 8/6 ·Refer to page: 835	Fitting port size ø 4 6 8 10 12 16 ·Refer to page: 835
L-plug/ GWP□-L	C-plug/ GWP□-C	Y type plug/ GWP□-Y	Cap/ GWC□	Manifold (single/with R)/ GWMF□-□
				
Compatible tube O.D. ø 4 6 8 10 12 ·Refer to page: 835	Compatible tube O.D. ø 4 6 8 10 12 ·Refer to page: 835	Compatible tube O.D. ø 4 6 8 10 12 ·Refer to page: 836	Compatible tube O.D. ø 4 6 8 10 12 ·Refer to page: 836	Compatible tube O.D. ø 4/6 4/8 6/8 6/10 8/10 ·Refer to page: 836
Manifold (single)/ GWMF□-0	Manifold (double/with R)/ GWMF□-□-W	Manifold (double)/ GWMF□-0-W	Insert ring Made-to-order product	
				
Compatible tube O.D. ø 4/6 4/8 6/8 6/10 8/10 ·Refer to page: 836	Compatible tube O.D. ø 4/8 6/10 8/12 ·Refer to page: 837	Compatible tube O.D. ø 4/8 6/10 8/12 ·Refer to page: 837	Compatible tube O.D. ø 4 6 8 10 12 ·Refer to page: 837	

F.R.L.
F.R.
F (Filtr)
R (Reg)
L (Lub)
Drain Separ
Mech Press SW
Res press exh valve
SlowStart
Anti-bac/Bac-remove Filtr
Film Resist FR
Oil-ProhR
Med Press FR
No Cu/ PTFE FRL
Outdris FRL
Adapter Joiner Press Gauge
CompFRL
LgFRL
PrecsR
VacF/R
Clean FR
ElecPneuR
AirBoost
Speed Ctrl
Silncr
CheckV/ other
Fit/Tube
Nozzle
Air Unit
PrecsCompn
Electro Press SW
ContactSW
AirSens
PresSW Cool
Air Flo Sens/Ctrl
WaterRSens
TotAirSys (Total Air)
TotAirSys (Gamma)
Gas generator
RefrDry
DesicDry
HiPolymDry
MainFiltr Dischrg etc
Ending

GW Fitting

Port size M3 to 1/2 (Rc or R)

Work environment and device-friendly flame-resistant white body

Fitting series for greatly reducing piping space

1. Push-in fitting for pneumatic piping.
2. Compact size for space saving.
3. V-shaped packing seal to realize smooth insertion and accurate sealing.
Smooth insertion and secure sealing.
4. Freely rotating elbow union to make piping and removal work easier.
5. White body blends into the working environment. Electroless nickeling used for copper alloy sections.
6. Flame-resistant resin (equivalent to UL94 Standards V-0) used for GW Series body and push ring.

Full flow up to the bore size

- There are no sections narrower than the bore size.
- A flow equivalent to the bore size can be run.

White flame-resistant resin (GW Series) used

- White body blends into the work environment.
- Flame-resistant PBT (equivalent to UL94 standards V-0) is provided as standard.

Electroless nickeling used for copper alloy sections

- Electroless nickeling is used as standard for all copper alloy parts to improve corrosion resistance and appearance.

Easy piping work

- The section of the pipe connected with the body rotates freely, so the piping removal direction can be set freely.

Accurate tube holding

- The chuck bracket acts in the direction in which the tube is dislocated. Ensuring highly reliable retention.

Push-in installation

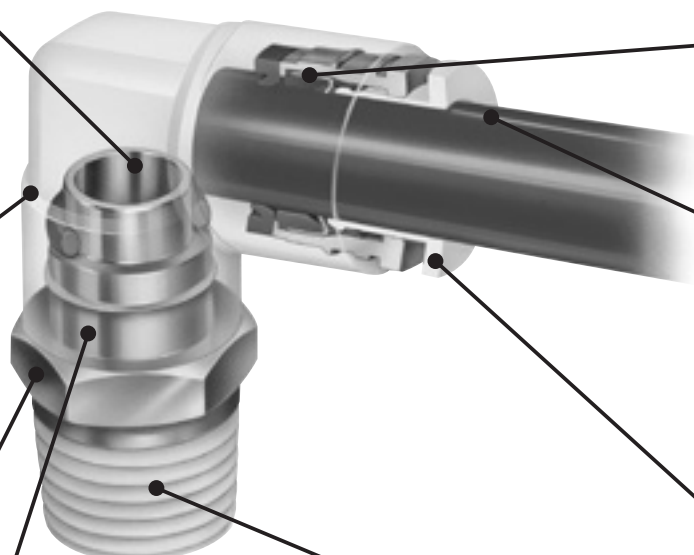
- The tube can be connected to the pipe fitting by pushing the tube in.
- V-shaped packing is used for the seal between the tube and fitting. The tube can be inserted with lamp force while obtaining a sure seal.

Easy tube removal

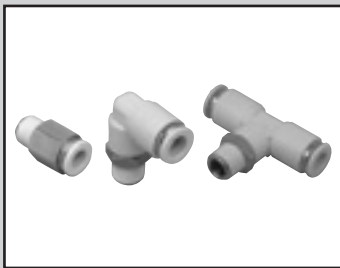
- The push ring evenly pushes and opens the chuck, enabling the tube to be completely released from the chuck and removed smoothly.

Sealant applied on thread part as standard

- Teflon resin is coated on the thread part.
- Sealing tape is not needed, reducing work hours.
- An even seal is created and there is no need to worry about leakage, etc.



F.R.L.
F.R.
F (Filtr)
R (Reg)
L (Lub)
Drain Separ
Mech Press SW
Res press exh valve
SlowStart
Anti-bac/Bac-remove Filtr
Film Resist FR
Oil-Prohr
Med Press FR
No Cu/PTFE FRL
Outdrs FRL
Adapter Joiner Press Gauge
CompFRL
LgFRL
PrecsR
VacF/R
Clean FR
ElecPneUR
AirBoost
Speed Ctrl
Silncr
CheckV/other
Fit/Tube
Nozzle
Air Unit
PrecsCompn
Electro Press SW
ContactSW
AirSens
PresSW Cool
Air Flo Sens/Ctrl
WaterRtSens
TotAirSys (Total Air)
TotAirSys (Gamma)
Gas generator
RefrDry
DesicDry
HiPolymDry
MainFiltr
Dischrg etc
Ending



Fitting GW Series

- Port size: M 3 to R1/2, $\phi 4$ to $\phi 12$
- Compatible tube O.D.: $\phi 3.2$ to $\phi 12$



Specifications

Descriptions	GW
Working fluid	Compressed air
Max. working pressure MPa	1.0
Negative pressure KPa	-100 *2
Ambient temperature °C	-10 to 60(no freezing)
Tube used	Soft nylon tube (F-15*)
	Urethane tube (U-95*, NU-*) *1

*1: Refer to page 902 for tube dimensions, ambient temperature and working pressure.
*2: Use a urethane tube (U-95**/NU-**) together with an insert ring at vacuum pressure.

Ozone-proof specifications (Ending Page 9)

GW - **P11**

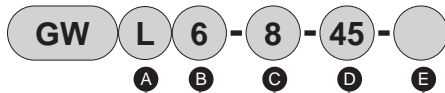
Clean-room specifications (Catalog No.CB-033S)

GW - **P7***

GW - **P80**

How to order

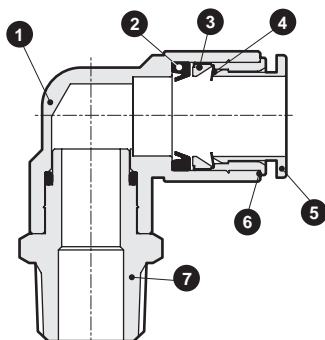
* Refer to the model No. on the dimensions page (pages 828 to 837) for the model No. combination.



A Shape		B Compatible tube O.D.		C Port size		D Other combinations		E Option	
S	Straight	3	$\phi 3.2$	M3	M 3 x 0.5	L	Long	Blank	No
L	Elbow	4	$\phi 4$	M5	M 5 x 0.8	T	Turn	P6	Copper and PTFE free specifications
T	Tee	6	$\phi 6$	6	R 1/8	D	D type		
TR	Tetrapod	8	$\phi 8$	8	R 1/4	X	Bulkhead		
Y	Y tee	10	$\phi 10$	10	R 3/8	S	Round		
FY	FY	12	$\phi 12$	15	R 1/2	M	Female		
WY	Double Y	16	$\phi 16$	0	No thread	E	Bulkhead female		
CR	Cross	44	$\phi 4/\phi 4$	4P	Plug for $\phi 4$	W	Double		
P	Plug	46	$\phi 4/\phi 6$	6P	Plug for $\phi 6$	2T	2-port turn		
C	Cap	48	$\phi 4/\phi 8$	8P	Plug for $\phi 8$	45	Single 45°		
M	For tightening fitting	64	$\phi 6/\phi 4$	10P	Plug for $\phi 10$				
MF	Manifold	66	$\phi 6/\phi 6$	12P	Plug for $\phi 12$				
		68	$\phi 6/\phi 8$	B	Blanking plug				
		610	$\phi 6/\phi 10$	C	C-plug				
		86	$\phi 8/\phi 6$	L	L-plug				
		88	$\phi 8/\phi 8$	Y	Y-plug				
		810	$\phi 8/\phi 10$						
		812	$\phi 8/\phi 12$						
		108	$\phi 10/\phi 8$						
		1010	$\phi 10/\phi 10$						
		1012	$\phi 10/\phi 12$						
		1210	$\phi 12/\phi 10$						
		1212	$\phi 12/\phi 12$						

Note: Sales unit is 10 pcs./bag.

Internal structure and parts list



Part No.	Part name	Material
1	Body *1	Brass (electroless nickeling treatment) Polybutylene terephthalate (Flame-resistant resin *2)
2	Packing	Nitrile rubber
3	Chuck holder	polyether sulfone
4	Chuck	Stainless steel
5	Push ring *3	Polybutylene terephthalate (flame-resistant resin *2)
6	Outer ring	Brass(electroless nickeling treatment)
7	Drive-in nipple	Brass(electroless nickeling treatment)

*1: Body is copper alloy (electroless nickel plated) for single straight, single straight (round), female straight, female bulkhead, bulkhead and bulkhead female connector.

*2: UL94 standard V0 equivalent

*3: The push ring color is standard: white, ozone-proof specifications P11: blue, clean-room specifications P70: pink, P74: orange, P80: blue. (When flame retardant is added, the hue will be lighter.)

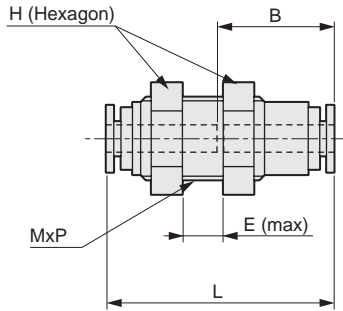
Dimensions: Bulkhead/bulkhead female connector/straight/different diameter straight



[Sales unit is 10 pcs./bag]

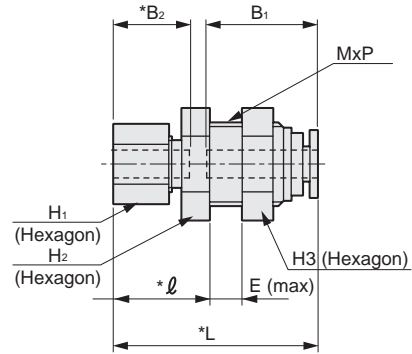
Bulkhead

- GWS□-□-X



Bulkhead female connector

- GWM□-□-X



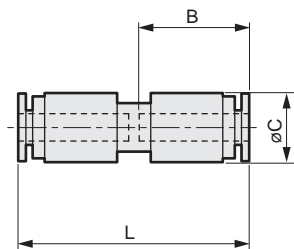
Model No.	Tube O.D. ø	H	L	B	E	MxP	Mounting holeø	Min. bore size	Eff. X-sectional area mm ²	Wt. g
GWS 4-0-X	4	14	33	16	7.5	M12x1	13	2.5	4	20
GWS 6-0-X	6	17	36	17.5	9.5	M14x1	15	4	10	33
GWS 8-0-X	8	19	39	19	12.5	M16x1	17	6	22	42
GWS10-0-X	10	23	44.5	21.5	18	M20x1	21	8	30	75
GWS12-0-X	12	26	47	23	20.5	M22x1	23	9	35	92

Note: An insert ring (MJU) is required for urethane tube on tightening fitting side. * dimensions show rough dimensions before fixing nut.

Model No.	Tube O.D. ø	H ₁	H ₂	H ₃	L	l	B ₁	B ₂	E	MxP	Mounting holeø	Min. bore size	Eff. X-sectional area mm ²	Wt. g
GWM 4-0-X	4	10	14	14	23.5	15	16	11	5	M12x1	13	2.5	4	21
GWM 6-0-X	6	12	17	17	33	16	17.5	11.5	5	M14x1	15	4	10	31
GWM 8-0-X	8	14	19	19	35	17.5	19	13	6	M16x1	17	6	22	41
GWM10-0-X	10	17	22	23	40	19.5	21.5	14.5	9	M20x1	21	8	30	68
GWM12-0-X	12	19	24	26	43.5	21	23	16	10	M22x1	23	9	35	85

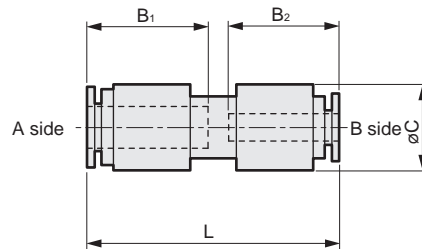
Straight

- GWS□-0



Different diameter straight

- GWS□-0



Model No.	Tube O.D. ø	L	B	C	Min. bore size	Eff. X-sectional area mm ²	Wt. g
GWS 4-0	4	33.5	16	10	2.5	4	4
GWS 6-0	6	36.5	17.5	12.5	4	10	6
GWS 8-0	8	39.5	19	14.5	6	22	8
GWS10-0	10	45	21.5	17.5	8	30	13
GWS12-0	12	47.5	23	20	10	35	17
GWS16-0	16	58	28	26.5	13.2	90	38

Model No.	Tube O.D. ø		L	B ₁	B ₂	C	Min. bore size	Eff. X-sectional area mm ²	Wt. g
	A side	B side							
GWS 46-0	6	4	36.5	17.5	16	12.5	2.5	4	6
GWS 68-0	8	6	39.5	19	17.5	14.5	4	10	8
GWS 810-0	10	8	45	21.5	19	17.5	6	22	12
GWS1012-0	12	10	47.5	23	21.5	20	8	30	17

- F.R.L.
- F.R.
- F (Filtr)
- R (Reg)
- L (Lub)
- Drain Separ
- Mech Press SW
- Res press exh valve
- SlowStart
- Anti-bac/Bac-remove Filtr
- Film Resist FR
- Oil-Prohr
- Med Press FR
- No Cu/ PTFE FRL
- Outdrrs FRL
- Adapter Joiner
- Press Gauge
- CompFRL
- LgFRL
- PrecsR
- VacF/R
- Clean FR
- ElecPneuR
- AirBoost
- Speed Ctrl
- Silncr
- CheckV/ other
- Fit/Tube
- Nozzle
- Air Unit
- PresCompn
- Electro Press SW
- ContactSW
- AirSens
- PresSW Cool
- Air Flo Sens/Ctrl
- WaterRISens
- TotAirSys (Total Air)
- TotAirSys (Gamma)
- Gas generator
- RefrDry
- DesicDry
- HiPolymDry
- MainFiltr
- Dischrg etc
- Ending



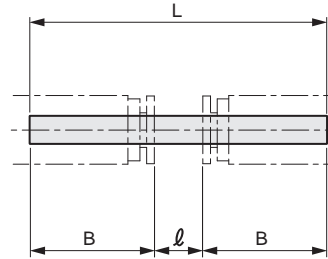
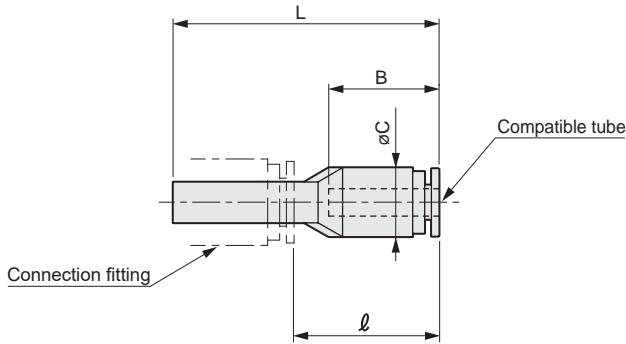
F.R.L. Dimensions: Plug reducer/plug/plug reducer/single elbow

[Sales unit is 10 pcs./bag]

- F.R.
- F (Filtr)
- R (Reg)
- L (Lub)
- Drain Separ
- Mech Press SW
- Res press exh valve
- SlowStart
- Anti-bac/Bac-remove Filtr
- Film Resist FR
- Oil-Prohr
- Med Press FR
- No Cu/PTFE FRL
- Outdrs FRL
- Adapter Joiner
- Press Gauge
- CompFRL
- LgFRL
- PrecsR
- VacF/R
- Clean FR
- ElecPneUR
- AirBoost
- Speed Ctrl
- Silncr
- CheckV/other
- Fit/Tube
- Nozzle
- Air Unit
- PrecsCompn
- Electro Press SW
- ContactSW
- AirSens
- PresSW Cool
- Air Flo Sens/Ctrl
- WaterRtSens
- TotAirSys (Total Air)
- TotAirSys (Gamma)
- Gas generator
- RefrDry
- DesicDry
- HiPolymDry
- MainFiltr
- Dischrg etc
- Ending

Plug reducer
● GWS□-□P

Plug
● GWP□-0



Model No.	Tube O.D. ø	Fitting port size ø	L	ℓ*	B	C	Min. bore size	Eff. X-sectional area mm ²	Wt. g
GWS 4- 6P	4	6	38.5	21	16	10	2.3	3.5	3
GWS 6- 4P	6	4	42	26	17.5	12.5	2.3	3.5	4
GWS 6- 8P		8	41	22	17.5	12.5	4	10	4
GWS 6-10P	8	10	42	20	17.5	12.5	4	10	5
GWS 8-10P		10	44.5	22.5	19	14.5	6	22	6
GWS 8-12P		12	44	21	19	14.5	6	22	7
GWS10-12P	10	12	48	25	21.5	17.5	8	30	9

* For connection fitting, dimensions of CKD (GW Series) are shown.

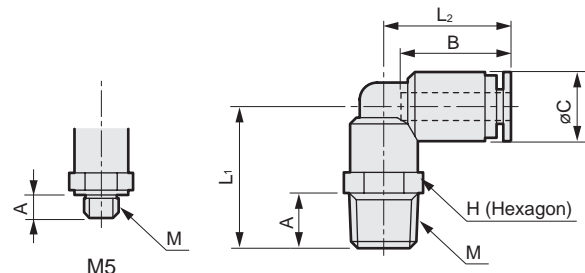
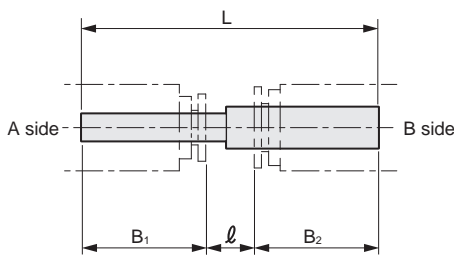
Plug reducer
● GWP□-0

Material: Polyamide resin

Model No.	Fitting port size ø	L	B*	ℓ*	Min. bore size	Eff. X-sectional area mm ²	Wt. g
GWP 4-0	4	43	16	11	2.5	4	0.5
GWP 6-0	6	43	17.5	8	4	10.3	1
GWP 8-0	8	47	19	9	6	22.4	1.5
GWP10-0	10	56	21.5	13	7.5	30	2.5
GWP12-0	12	61	23	15	9.2	35.5	3.5

* For connection fitting, dimensions of CKD (GW Series) are shown.

Single elbow
● GWL□-□



Material: Polyamide resin

Model No.	Fitting port size ø		L	ℓ*	B ₁	B ₂	Min. bore size	Eff. X-sectional area mm ²	Wt. g
	A side	B side							
GWP 46-0	4	6	43	9.5	16	17.5	2.3	4	0.8
GWP 68-0	6	8	45	8.5	17.5	19	4	10.3	1
GWP 810-0	8	10	50.5	10	19	21.5	6	22.4	2
GWP1012-0	10	12	58	13.5	21.5	23	7.5	30	3

* For connection fitting, dimensions of CKD (GW Series) are shown.

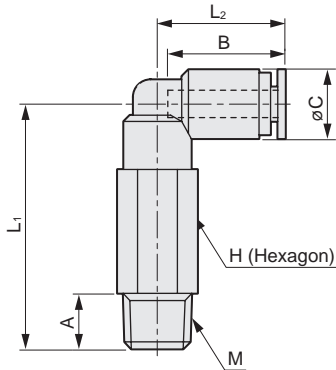
Model No.	Tube O.D. ø	M	H	L ₁	L ₂	A	B	C	Min. bore size	Eff. X-sectional area mm ²	Wt. g
GWL 4-M5	4	M5x0.8	8	15	18	3.4	16	10	2.5	3.2	5
GWL 4- 6		R1/8	10	20.5	18.5	8	16	10	2.5	3.2	8
GWL 4- 8		R1/4	14	24	18.5	11	16	10	2.5	3.2	15
GWL 6-M5	6	M5x0.8	10	15	20	3.4	17.5	12.5	2.5	4.2	7
GWL 6- 6		R1/8	12	24	21	8	17.5	12.5	4	8	13
GWL 6- 8		R1/4	14	27.5	21	11	17.5	12.5	4	8	18
GWL 6-10	8	R3/8	17	29	21	12	17.5	12.5	4	8	26
GWL 8- 6		R1/8	14	25.5	23.5	8	19	14.5	6	18	17
GWL 8- 8		R1/4	14	28.5	23.5	11	19	14.5	6	18	20
GWL 8-10	10	R3/8	17	30	23.5	12	19	14.5	6	18	28
GWL10- 6		R1/8	17	28	27	8	21.5	17.5	6.5	24.3	26
GWL10- 8		R1/4	17	31	27	11	21.5	17.5	8	27	28
GWL10-10	12	R3/8	17	32.5	27	12	21.5	17.5	8	27	33
GWL12-15		R1/2	22	37.5	29.5	15	23	20	9	35.5	56
GWL16-10		R3/8	22	41	35.5	12	28	26.5	12	80	63
GWL16-15	16	R1/2	22	44	35.5	15	28	26.5	12	80	76

Dimensions: Long elbow/single 45° elbow/turn elbow/elbow



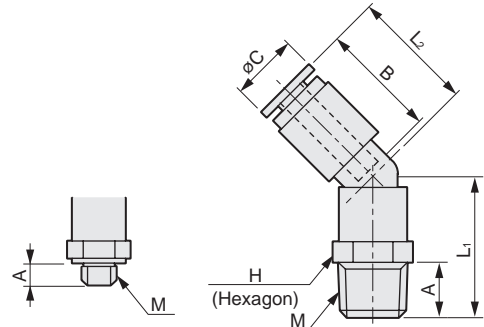
[Sales unit is 10 pcs./bag]

Long elbow
● GWL□-□-L



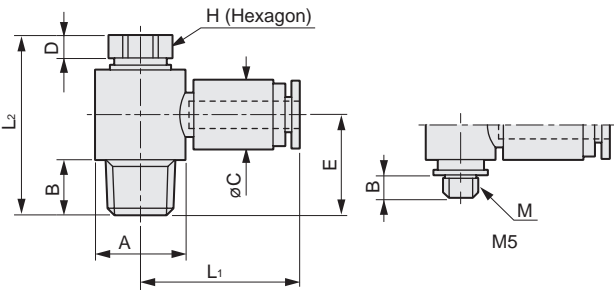
Model No.	Tube O.D. ø	M	H	L ₁	L ₂	A	B	C	Min. bore size	Eff. X-sectional area mm ²	Wt. g
GWL 4- 6-L	4	R1/8	10	35.5	18.5	8	16	10	2.5	3.2	15
GWL 4- 8-L		R1/4	14	39	18.5	11	16	10	2.5	3.2	24
GWL 6- 6-L	6	R1/8	12	40	21	8	17.5	12.5	4	8	26
GWL 6- 8-L		R1/4	14	43.5	21	11	17.5	12.5	4	8	34
GWL 8- 6-L	8	R1/8	14	44.5	23.5	8	19	14.5	6	18	39
GWL 8- 8-L		R1/4	14	47.5	23.5	11	19	14.5	6	18	39
GWL 8-10-L	8	R3/8	17	49	23.5	12	19	14.5	6	18	56
GWL10- 8-L		R1/4	17	56	27	11	21.5	17.5	8	27	69
GWL10-10-L	10	R3/8	17	57.5	27	12	21.5	17.5	8	27	70
GWL10-15-L		R1/2	22	60.5	27	15	21.5	17.5	8	27	109
GWL12- 8-L	12	R1/4	19	60	29.5	11	23	20	8.5	33	94
GWL12-10-L		R3/8	19	61.5	29.5	12	23	20	9	34.5	95
GWL12-15-L	R1/2	22	64.5	29.5	15	23	20	9	34.5	122	

Single 45° elbow
● GWL□-□-45



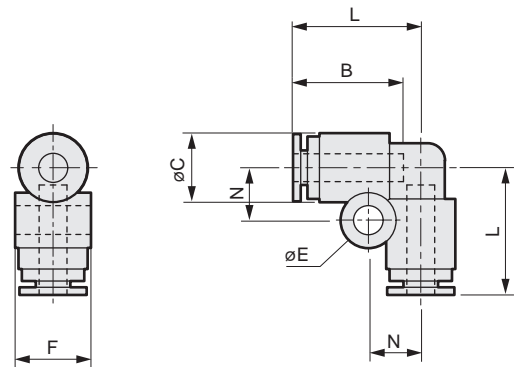
Model No.	Tube O.D. ø	M	H	L ₁	L ₂	A	B	C	Min. bore size	Eff. X-sectional area mm ²	Wt. g
GWL 4-M5-45	4	M5x0.8	8	14.5	18	3.4	16	10	2.5	3.6	5
GWL 4- 6-45		R1/8	10	20.5	18	8	16	10	2.5	3.6	8
GWL 4- 8-45	4	R1/4	14	24	18	11	16	10	2.5	3.6	15
GWL 6-M5-45		6	M5x0.8	10	15	18.5	3.4	17.5	12.5	2.5	4.3
GWL 6- 6-45	R1/8		12	23.5	20	8	17.5	12.5	4	9.2	12
GWL 6- 8-45	6	R1/4	14	27	20	11	17.5	12.5	4	9.2	17
GWL 6-10-45		R3/8	17	28.5	20	12	17.5	12.5	4	9.2	26
GWL 8- 6-45	8	R1/8	14	25	22	8	19	14.5	6	20	16
GWL 8- 8-45		R1/4	14	28	22	11	19	14.5	6	20	19
GWL 8-10-45	8	R3/8	17	29.5	22	12	19	14.5	6	20	28
GWL10- 6-45		10	R1/8	17	26	25	8	21.5	17.5	6.5	25.5
GWL10- 8-45	R1/4		17	29	25	11	21.5	17.5	8	29	26
GWL10-10-45	10	R3/8	17	30.5	25	12	21.5	17.5	8	29	31
GWL10-15-45		R1/2	22	33.5	25	15	21.5	17.5	8	29	47
GWL12- 8-45	12	R1/4	19	30.5	27	11	23	20	8.5	35.5	35
GWL12-10-45		R3/8	19	32	27	12	23	20	9	39	41
GWL12-15-45	R1/2	22	35	27	15	23	20	9	39	55	

Turn elbow
● GWL□-□-T



Model No.	Tube O.D. ø	M	H	L ₁	L ₂	A	B	C	D	E	Eff. X-sectional area mm ²	Wt. g
GWL 4-M5-T	4	M5x0.8	8	21.5	18.5	10	3.4	10	3	10.5	2.8	6
GWL 4- 6-T		R1/8	8	23	26	13	8	10	3	15	3.7	13
GWL 4- 8-T		R1/4	10	24	30	15	11	10	3.5	18	3.7	24
GWL 6-M5-T	6	M5x0.8	8	22.5	18.5	10	3.4	12.5	3	10.5	3.4	8
GWL 6- 6-T		R1/8	8	24	26	13	8	12.5	3	15	7.5	14
GWL 6- 8-T		R1/4	10	25	30	15	11	12.5	3.5	18	8	25
GWL 6-10-T	6	R3/8	14	27.5	36.5	20	12	12.5	4	21.5	9	45
GWL 8- 6-T		R1/8	10	26.5	29	15	8	14.5	4	16	16.5	20
GWL 8- 8-T	8	R1/4	12	28	32	17.6	11	14.5	4	19	17	31
GWL 8-10-T		R3/8	14	29	36.5	20	12	14.5	4	21.5	19	46
GWL10- 8-T	10	R1/4	14	31.5	35.5	20	11	17.5	4	20.5	24	42
GWL10-10-T		R3/8	14	31.5	36.5	20	12	17.5	4	21.5	24	49
GWL10-15-T	10	R1/2	17	34	42.5	25	15	17.5	4	25.7	27	82
GWL12- 8-T		R1/4	17	35.5	38.5	25	11	20	4	21.7	32	66
GWL12-10-T	12	R3/8	17	35.5	39.5	25	12	20	4	22.7	32	68
GWL12-15-T		R1/2	17	35.5	42.5	25	15	20	4	25.7	32	84

Elbow
● GWL□-0



Model No.	Tube O.D. ø	L	B	C	N	E	F	Min. bore size	Eff. X-sectional area mm ²	Wt. g
GWL 4-0	4	18.5	16	10	7.5	4.2	11	2.5	3	5
GWL 6-0	6	21	17.5	12.5	8.5	4.2	13.5	4	7.5	7
GWL 8-0	8	23.5	19	14.5	9.5	4.2	15.5	6	17	9
GWL10-0	10	27	21.5	17.5	11	4.2	18.5	8	25.5	15
GWL12-0	12	29.5	23	20	12	4.2	21	10	34	18
GWL16-0	16	37	28	26.5	12.5	4.2	28	13.2	80	42

- F.R.L.
- F.R.
- F (Filtr)
- R (Reg)
- L (Lub)
- Drain Separ
- Mech Press SW
- Res press exh valve
- SlowStart
- Anti-bac/Bac-remove Filtr
- Film Resist FR
- Oil-ProhR
- Med Press FR
- No Cu/ PTFE FRL
- Outdris FRL
- Adapter Joiner
- Press Gauge
- CompFRL
- LgFRL
- PrecsR
- VacF/R
- Clean FR
- ElecPneuR
- AirBoost
- Speed Ctrl
- Silncr
- CheckV/ other
- Fit/Tube
- Nozzle
- Air Unit
- PrecsCompn
- Electro Press SW
- ContactSW
- AirSens
- PresSW Cool
- Air Flo Sens/Ctrl
- WaterRISens
- TotAirSys (Total Air)
- TotAirSys (Gamma)
- Gas generator
- RefrDry
- DesicDry
- HiPolymDry
- MainFiltr
- Dischrg etc
- Ending

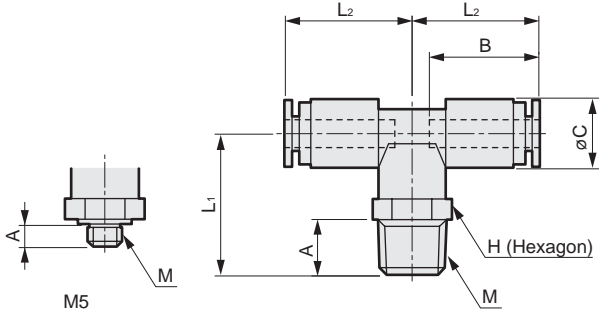


[Sales unit is 10 pcs./bag]

F.R.L. Dimensions: Double tee/D tee/tee/Y tee

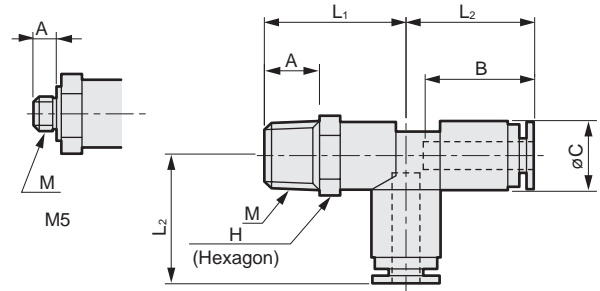
- F.R.
- F (Filtr)
- R (Reg)
- L (Lub)
- Drain Separ
- Mech Press SW
- Res press exh valve
- SlowStart
- Anti-bac/Bac-remove Filtr
- Film Resist FR
- Oil-ProhrR
- Med Press FR No Cu/PTFE CRL
- Outdrs FRL
- Adapter Joiner Press Gauge
- CompFRL
- LgFRL
- PrecsR
- VacF/R
- Clean FR
- ElecPneUR
- AirBoost
- Speed Ctrl
- Silncr
- CheckV/other
- Fit/Tube
- Nozzle
- Air Unit
- PrecsCompn
- Electro Press SW
- ContactSW
- AirSens
- PresSW Cool
- Air Flo Sens/Ctrl
- WaterRtSens
- TotAirSys (Total Air)
- TotAirSys (Gamma)
- Gas generator
- RefrDry
- DesicDry
- HiPolymDry
- MainFiltr
- Dischrg etc
- Ending

Double tee
● GWT□□□



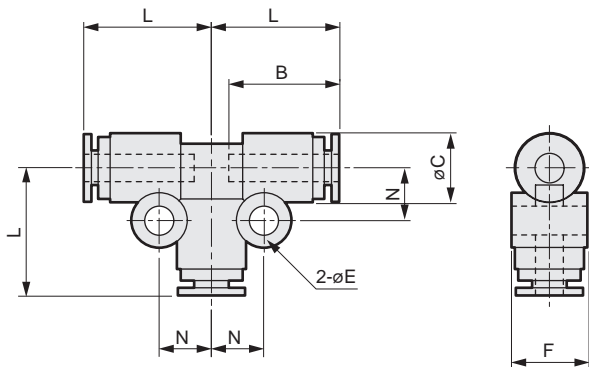
Model No.	Tube O.D. ø	M	H	L ₁	L ₂	A	B	C	Min. bore size	Eff. X-sectional area mm ²	Wt. g
GWT 4-M5	4	M5x0.8	10	16.5	18.5	3.4	16	10	2.5	4.3	8
GWT 4- 6		R1/8	10	20.5	18.5	8	16	10	2.5	4.3	10
GWT 4- 8	6	R1/4	14	24	18.5	11	16	10	2.5	4.3	17
GWT 6-M5		M5x0.8	12	20	21	3.4	17.5	12.5	2.5	4.3	13
GWT 6- 6	6	R1/8	12	24	21	8	17.5	12.5	4	10.5	16
GWT 6- 8		R1/4	14	27.5	21	11	17.5	12.5	4	10.5	21
GWT 6-10	8	R3/8	17	29	21	12	17.5	12.5	4	10.5	29
GWT 8- 6		R1/8	14	25.5	23.5	8	19	14.5	6	23.5	20
GWT 8- 8	8	R1/4	14	28.5	23.5	11	19	14.5	6	23.5	24
GWT 8-10		R3/8	17	30	23.5	12	19	14.5	6	23.5	32
GWT10- 8	10	R1/4	17	31	27	11	21.5	17.5	8	33.5	34
GWT10-10		R3/8	17	32.5	27	12	21.5	17.5	8	33.5	39
GWT10-15	12	R1/2	22	35.5	27	15	21.5	17.5	8	33.5	55
GWT12- 8		R1/4	19	33	29.5	11	23	20	8.5	37	45
GWT12-10	12	R3/8	19	34.5	29.5	12	23	20	9	41	51
GWT12-15		R1/2	22	37.5	29.5	15	23	20	9	41	64

D tee
● GWT□□□-D



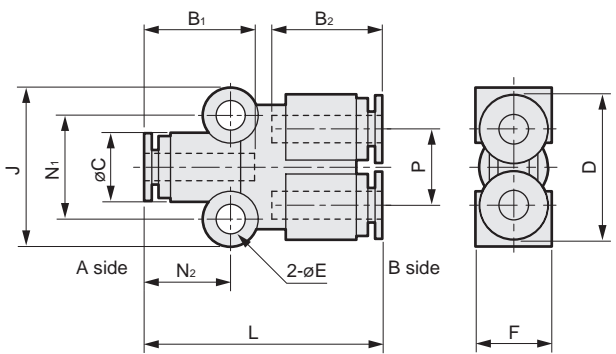
Model No.	Tube O.D. ø	M	H	L ₁	L ₂	A	B	C	Min. bore size	Eff. X-sectional area mm ²	Wt. g
GWT 4-M5-D	4	M5x0.8	10	16.5	18.5	3.4	16	10	2.5	4.3	8
GWT 4- 6-D		R1/8	10	20.5	18.5	8	16	10	2.5	4.3	10
GWT 4- 8-D	6	R1/4	14	24	18.5	11	16	10	2.5	4.3	17
GWT 6-M5-D		M5x0.8	12	19.5	21	3.4	17.5	12.5	2.5	4.3	13
GWT 6- 6-D	6	R1/8	12	24	21	8	17.5	12.5	4	10.5	16
GWT 6- 8-D		R1/4	14	27.5	21	11	17.5	12.5	4	10.5	21
GWT 6-10-D	8	R3/8	17	29	21	12	17.5	12.5	4	10.5	29
GWT 8- 6-D		R1/8	14	25.5	23.5	8	19	14.5	6	23.5	20
GWT 8- 8-D	8	R1/4	14	28.5	23.5	11	19	14.5	6	23.5	24
GWT 8-10-D		R3/8	17	30	23.5	12	19	14.5	6	23.5	32
GWT10- 8-D	10	R1/4	17	31	27	11	21.5	17.5	8	33.5	34
GWT10-10-D		R3/8	17	32.5	27	12	21.5	17.5	8	33.5	39
GWT10-15-D	12	R1/2	22	35.5	27	15	21.5	17.5	8	33.5	55
GWT12- 8-D		R1/4	19	33	29.5	11	23	20	8.5	37	45
GWT12-10-D	12	R3/8	19	34.5	29.5	12	23	20	9	41	51
GWT12-15-D		R1/2	22	37.5	29.5	15	23	20	9	41	64

Tee
● GWT□□-0



Model No.	Tube O.D. ø	L	B	C	E	F	N	Min. bore size	Eff. X-sectional area mm ²	Wt. g
GWT 4-0	4	18.5	16	10	4.2	11	7.5	2.5	3.6	8
GWT 6-0	6	21	17.5	12.5	4.2	13.5	8.5	4	9.7	11
GWT 8-0	8	23.5	19	14.5	4.2	15.5	9.5	6	22	14
GWT10-0	10	27	21.5	17.5	4.2	18.5	11	8	30	23
GWT12-0	12	29.5	23	20	4.2	21	12	10	35.5	30

Y tee
● GWY□□-0



Model No.	Tube O.D. ø		L	B ₁	B ₂	C	D	E	F	J	N ₁	N ₂	P	Eff. X-sectional area mm ²	Wt. g
	A side	B side													
GWY 44-0	4	4	34.5	16	16	10	21	4.2	11	23	15	12.5	11	3.6	8
GWY 66-0	6	6	37.5	17.5	17.5	12.5	26	4.2	13.5	25.5	17.5	14	13.5	10.5	11
GWY 88-0	8	8	40.5	19	19	14.5	30	4.2	15.5	27	19	15	15.5	23	14
GWY1010-0	10	10	48	21.5	21.5	17.5	36	4.2	18.5	30	22	18	18.5	38	23
GWY1212-0	12	12	53	23	23	20	41	4.2	21	32	24	19.5	21	50	30
GWY 64-0	6	4	37.5	17.5	16	12.5	26	4.2	13.5	25.5	17.5	14	13.5	5.4	11
GWY 86-0	8	6	40.5	19	17.5	14.5	30	4.2	15.5	27	19	15	15.5	14.3	16
GWY 108-0	10	8	48	21.5	19	17.5	36	4.2	18.5	30	22	18	18.5	21.1	20
GWY1210-0	12	10	53	23	21.5	20	41	4.2	21	32	24	19.5	21	35.5	30

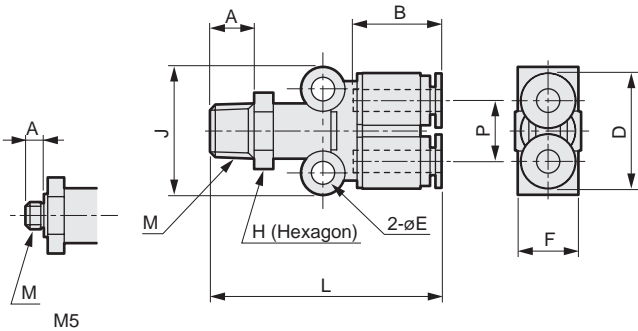


[Sales unit is 10 pcs./bag]

Dimensions: Double Y tee/cross/2-port turn elbow/tetrapod (with R)

Double Y tee

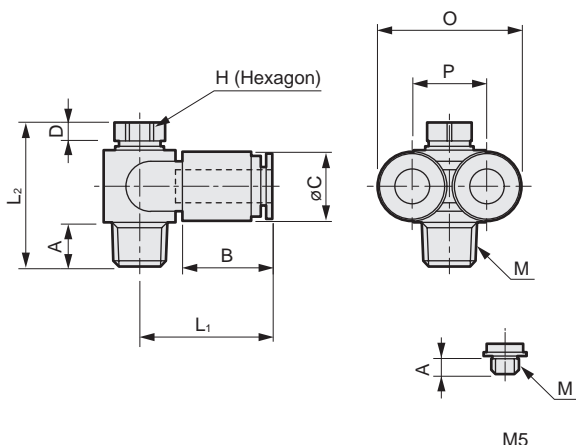
● GWY□-□



Model No.	Tube O.D. ø	M	H	L	A	B	D	E	F	J	P	Eff. X-sectional area mm ²	Wt. g
GWY 4-M5	M5x0.8	12	38	3.4	16	21	4.2	11	23	11	4.5	12	
GWY 4- 6	R1/8	12	42	8	16	21	4.2	11	23	11	5.5	14	
GWY 4- 8	R1/4	14	45.5	11	16	21	4.2	11	23	11	5.5	19	
GWY 6-M5	M5x0.8	12	41	3.4	17.5	26	4.2	13.5	25.5	13.5	4.5	17	
GWY 6- 6	R1/8	14	46	8	17.5	26	4.2	13.5	25.5	13.5	17.5	19	
GWY 6- 8	R1/4	14	49	11	17.5	26	4.2	13.5	25.5	13.5	17.5	22	
GWY 6-10	R3/8	17	50.5	12	17.5	26	4.2	13.5	25.5	13.5	17.5	31	
GWY 8- 6	R1/8	17	49	8	19	30	4.2	15.5	27	15.5	25.5	27	
GWY 8- 8	R1/4	17	52	11	19	30	4.2	15.5	27	15.5	25.5	29	
GWY 8-10	R3/8	17	53.5	12	19	30	4.2	15.5	27	15.5	25.5	34	
GWY10- 8	R1/4	19	59.5	11	21.5	36	4.2	18.5	30	18.5	35	42	
GWY10-10	R3/8	19	61	12	21.5	36	4.2	18.5	30	18.5	38.5	48	
GWY10-15	R1/2	22	64	15	21.5	36	4.2	18.5	30	18.5	38	61	
GWY12- 8	R1/4	22	64.5	11	23	41	4.2	21	32	21	37	51	
GWY12-10	R3/8	22	66	12	23	41	4.2	21	32	21	37	57	
GWY12-15	R1/2	22	69	15	23	41	4.2	21	32	21	40.5	67	

2-port turn elbow

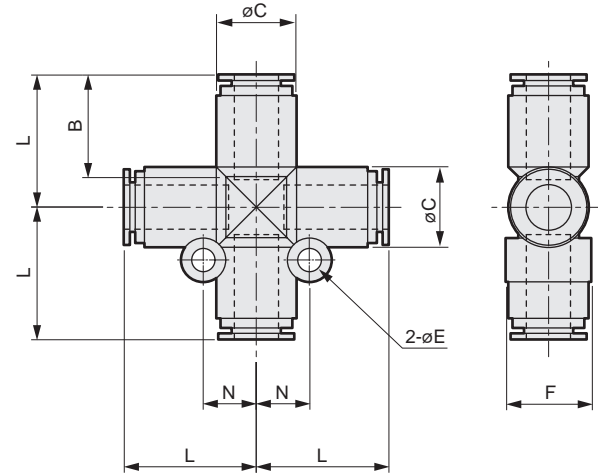
● GWL□-□-2T



Model No.	Tube O.D. ø	M	H	L ₁	L ₂	A	B	C	D	O	P	Eff. X-sectional area mm ²	Wt. g
GWL 4-M5-2T	M5x0.8	8	21.5	18.5	3.4	16	10	3	21	11	3.6	9	
GWL 6- 6-2T	R1/8	8	24	26	8	17.5	12.5	3	26	13.5	8.5	18	
GWL 8- 8-2T	R1/4	12	28	32	11	19	14.5	4	30	15.5	19	36	
GWL10-10-2T	R3/8	14	31.5	36.5	12	21.5	17.5	4	36	18.5	26	54	
GWL12-15-2T	R1/2	17	35.5	42.5	15	23	20	4	41	21	34	90	

Cross

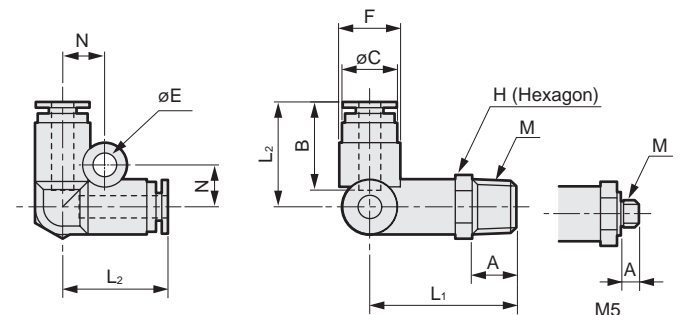
● GWCR□-0



Model No.	Tube O.D. ø	L	B	C	E	F	N	Min. bore size	Eff. X-sectional area mm ²	Wt. g
GWCR 8-0	8	24	19	14.5	4.2	15.5	9.5	6	22	19
GWCR10-0	10	27.5	21.5	17.5	4.2	18.5	11	8	30.5	30
GWCR12-0	12	30	23	20	4.2	21	12	10	35.9	39

Tetrapod (with R)

● GWTR□-□



Model No.	Tube O.D. ø	M	H	L ₁	L ₂	A	B	C	E	F	N	Min. bore size	Eff. X-sectional area mm ²	Wt. g
GWTR 4-M5	M5x0.8	10	22.5	19	3.4	16	10	4.2	11	7.5	2.5	4.3	11	
GWTR 4- 6	R1/8	10	26.5	19	8	16	10	4.2	11	7.5	2.5	4.5	13	
GWTR 4- 8	R1/4	14	30	19	11	16	10	4.2	11	7.5	2.5	4.5	20	
GWTR 6-M5	M5x0.8	14	25	21.5	3.4	17.5	12.5	4.2	13.5	8.5	2.5	4.3	19	
GWTR 6- 6	R1/8	14	30	21.5	8	17.5	12.5	4.2	13.5	8.5	4	10.5	22	
GWTR 6- 8	R1/4	14	33	21.5	11	17.5	12.5	4.2	13.5	8.5	4	10.5	25	
GWTR 6-10	R3/8	17	34.5	21.5	12	17.5	12.5	4.2	13.5	8.5	4	10.5	33	
GWTR 8- 6	R1/8	17	32.5	24	8	19	14.5	4.2	15.5	9.5	6	23.5	28	
GWTR 8- 8	R1/4	17	35.5	24	11	19	14.5	4.2	15.5	9.5	6	23.5	33	
GWTR 8-10	R3/8	17	37	24	12	19	14.5	4.2	15.5	9.5	6	23.5	38	
GWTR10- 8	R1/4	19	39.5	27.5	11	21.5	17.5	4.2	18.5	13	8	35.5	45	
GWTR10-10	R3/8	19	41	27.5	12	21.5	17.5	4.2	18.5	13	8	35.5	52	
GWTR10-15	R1/2	22	44	27.5	15	21.5	17.5	4.2	18.5	13	8	35.5	65	
GWTR12- 8	R1/4	22	41.5	30	11	23	20	4.2	21	14	8.5	37.5	60	
GWTR12-10	R3/8	22	43	30	12	23	20	4.2	21	14	8.5	37.5	68	
GWTR12-15	R1/2	22	46	30	15	23	20	4.2	21	14	8.5	37.5	77	

F.R.L.
F.R.
F (Filtr)
R (Reg)
L (Lub)
Drain Separ
Mech Press SW
Res press exh valve
SlowStart
Anti-bac/Bac-remove Filtr
Film Resist FR
Oil-ProHR
Med Press FR
No Cu/ PTFE FRL
Outdris FRL
Adapter Joiner Press Gauge
CompFRL
LgFRL
PrecsR
VacF/R
Clean FR
ElecPneuR
AirBoost
Speed Ctrl
Silncr
CheckV/ other
Fit/Tube
Nozzle
Air Unit
PresCompn
Electro Press SW
ContactSW
AirSens
PresSW Cool
Air Flo Sens/Ctrl
WaterRISens
TotAirSys (Total Air)
TotAirSys (Gamma) Gas generator
RefrDry
DesicDry
HiPolymDry
MainFiltr Dischrg etc
Ending



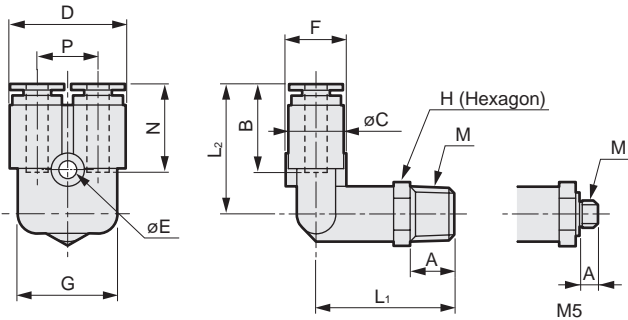
[Sales unit is 10 pcs./bag]

Dimensions: FY (with R)/double Y (with R)/tetrapod/FY

- F.R.L.
- F.R.
- F (Filtr)
- R (Reg)
- L (Lub)
- Drain Separ
- Mech Press SW
- Res press exh valve
- SlowStart
- Anti-bac/Bac-remove Filtr
- Film Resist FR
- Oil-ProhrR
- Med Press FR No Cu/ PTFE FRL
- Outdrs FRL
- Adapter Joiner Press Gauge
- CompFRL
- LgFRL
- PrecsR
- VacF/R
- Clean FR
- ElecPneUR
- AirBoost
- Speed Ctrl
- Silncr
- CheckV/ other
- Fit/Tube
- Nozzle
- Air Unit
- PrecsCompn
- Electro Press SW
- ContactSW
- AirSens
- PresSW Cool
- Air Flo Sens/Ctrl
- WaterRtSens
- TotAirSys (Total Air)
- TotAirSys (Gamma)
- Gas generator
- RefrDry
- DesicDry
- HiPolymDry
- MainFiltr
- Dischrg etc
- Ending

FY (with R)

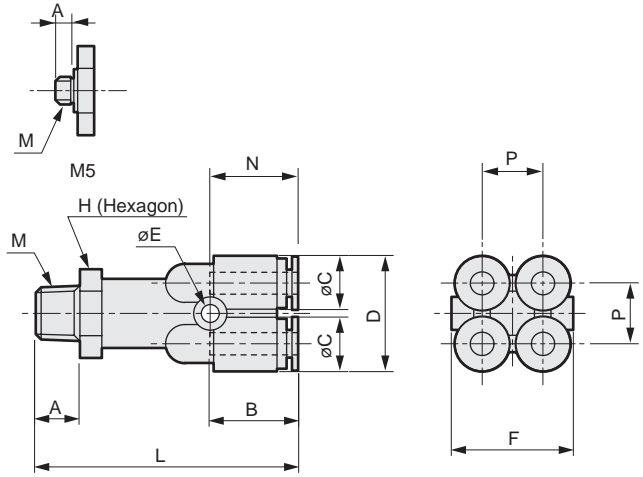
- GWFY□-□



Model No.	Tube O.D. ø	M	H	L ₁	L ₂	A	B	C	D	E	F	G	N	P	Min. bore size	Eff. X-sectional area mm ²	Wt. g
GWFY 4-M5	M5x0.8	10	21	23.5	3.4	16	10	21	3.2	11	18	15.5	11	2.5	2.5	4.5	12
GWFY 4-6	R1/8	10	25	23.5	8	16	10	21	3.2	11	18	15.5	11	2.5	2.5	4.6	14
GWFY 4-8	R1/4	14	28.5	23.5	11	16	10	21	3.2	11	18	15.5	11	2.5	2.5	4.6	20
GWFY 6-M5	M5x0.8	14	23	27	3.4	17.5	12.5	26	4.2	13.5	22.5	17	13.5	2.5	4.5	21	
GWFY 6-6	R1/8	14	28	27	8	17.5	12.5	26	4.2	13.5	22.5	17	13.5	4	10.5	23	
GWFY 6-8	R1/4	14	31	27	11	17.5	12.5	26	4.2	13.5	22.5	17	13.5	4	10.5	26	
GWFY 6-10	R3/8	17	32.5	27	12	17.5	12.5	26	4.2	13.5	22.5	17	13.5	4	10.5	35	
GWFY 8-6	R1/8	17	30.5	29	8	19	14.5	30	4.2	15.5	26.5	18	15.5	6	23	30	
GWFY 8-8	R1/4	17	33.5	29	11	19	14.5	30	4.2	15.5	26.5	18	15.5	6	23	34	
GWFY 8-10	R3/8	17	35	29	12	19	14.5	30	4.2	15.5	26.5	18	15.5	6	23	39	
GWFY10-8	R1/4	19	37.5	33	11	21.5	17.5	36	4.2	18.5	31.5	20	18.5	8	34.4	47	
GWFY10-10	R3/8	19	39	33	12	21.5	17.5	36	4.2	18.5	31.5	20	18.5	8	34.4	53	
GWFY10-15	R1/2	22	42	33	15	21.5	17.5	36	4.2	18.5	32.5	20	18.5	8	34.4	66	
GWFY12-8	R1/4	22	39.5	35.5	11	23	20	41	4.2	21	37	21.5	21	8.5	37.5	63	
GWFY12-10	R3/8	22	41	35.5	12	23	20	41	4.2	21	37	21.5	21	8.5	37.5	71	
GWFY12-15	R1/2	22	44	35.5	15	23	20	41	4.2	21	37	21.5	21	8.5	37.5	80	

Double Y (with R)

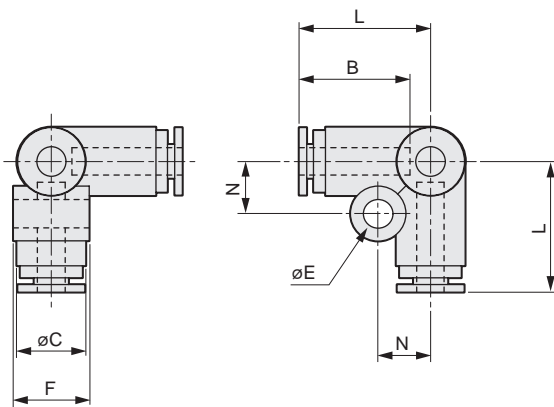
- GWWY□-□



Model No.	Tube O.D. ø	M	H	L	A	B	C	D	E	F	N	P	Eff. X-sectional area mm ²	Wt. g
GWWY4-M5	M5x0.8	14	42.5	3.4	16	10	21	3.2	22	15.5	11	4.3	23	
GWWY4-6	R1/8	14	47.5	8	16	10	21	3.2	22	15.5	11	9.7	25	
GWWY4-8	R1/4	14	50.5	11	16	10	21	3.2	22	15.5	11	9.7	28	
GWWY6-M5	M5x0.8	17	46.5	3.4	17.5	12.5	26	3.2	27	17	13.5	4.3	36	
GWWY6-6	R1/8	17	51.5	8	17.5	12.5	26	3.2	27	17	13.5	23	34	
GWWY6-8	R1/4	17	54.5	11	17.5	12.5	26	3.2	27	17	13.5	23	39	
GWWY6-10	R3/8	17	56	12	17.5	12.5	26	3.2	27	17	13.5	23	44	

Tetrapod

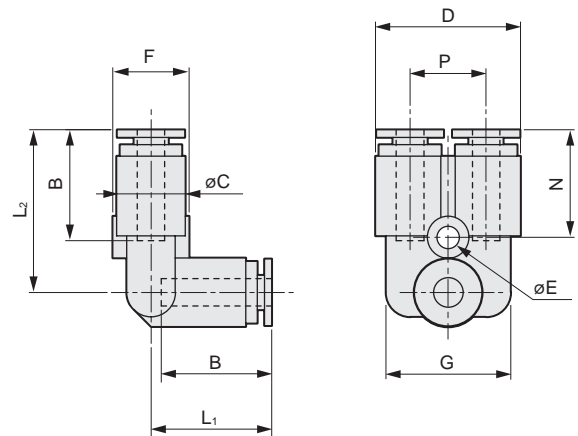
- GWTR□-□



Model No.	Compatible tube O.D. ø	L	B	C	E	F	N	Min. bore size	Eff. X-sectional area mm ²	Wt. g
GWTR 4-0	4	19	16	10	4.2	11	7.5	2.5	4	7
GWTR 6-0	6	21.5	17.5	12.5	4.2	13.5	8.5	4	9.5	11
GWTR 8-0	8	24	19	14.5	4.2	15.5	9.5	6	12.5	14
GWTR10-0	10	27.5	21.5	17.5	4.2	18.5	13	8	29.5	24
GWTR12-0	12	30	23	20	4.2	21	14	10	35.5	31

FY

- GWFY□-□



Model No.	Tube O.D. ø	L ₁	L ₂	B	C	D	E	F	G	N	P	Min. bore size	Eff. X-sectional area mm ²	Wt. g
GWFY 4-0	4	17.5	23.5	16	10	21	3.2	11	18	15.5	11	2.5	4	8
GWFY 6-0	6	19.5	27	17.5	12.5	26	4.2	13.5	22.5	17	13.5	4	10	12
GWFY 8-0	8	22	29	19	14.5	30	4.2	15.5	26.5	18	15.5	6	21	16
GWFY10-0	10	25.5	33	21.5	17.5	36	4.2	18.5	31.5	20	18.5	8	29	25
GWFY12-0	12	28	35.5	23	20	41	4.2	21	37	21.5	21	10	35.5	34

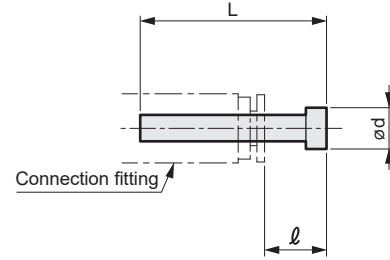
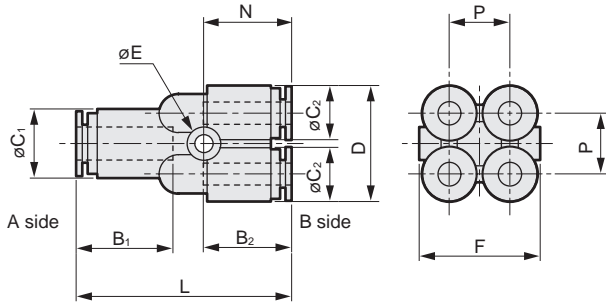
Dimensions: Double Y/blanking plug/L-plug/C-plug



[Sales unit is 10 pcs./bag]

Double Y
● GWWY□-0

Blanking plug
● GWP□-B



Model No.	Tube O.D. ø		L	B ₁	B ₂	C ₁	C ₂	D	E	F	N	P	Eff. X-sectional area mm ²	Wt. g
	A side	B side												
GWWY64-0	6	4	39	17.5	16	12.5	10	21	3.2	22	15.5	11	9	14
GWWY86-0	8	6	43	19	17.5	14.5	12.5	26	3.2	27	17	13.5	22	20

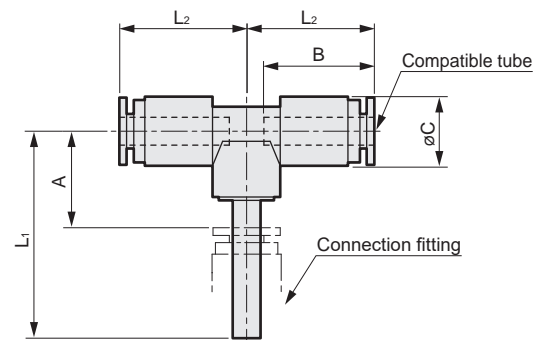
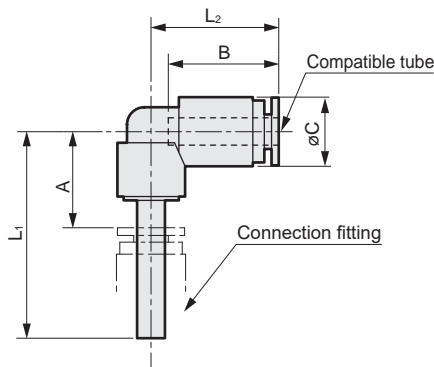
Material: Polyamide resin

Model No.	Fitting port size ø	L	ℓ*	d	Wt. g
GWJP 3-B	3.2	23.5	11.8	5	0.2
GWP 4-B	4	27	11	6	0.5
GWP 6-B	6	29	11.5	8	1
GWP 8-B	8	33	14	10	2
GWP10-B	10	40	18.5	12	3
GWP12-B	12	43	20	14	4
GWP16-B	16	51	23	21	5.5

* For connection fitting, dimensions of CKD (GW Series) are shown.

L-plug
● GWP□-L

C-plug
● GWP□-C



Model No.	Applicable tube O.D. ø	Port size ø	L ₁	L ₂	A*	B	C	Min. bore size	Eff. X-sectional area mm ²	Wt. g
GWP 44-L	4	4	30	18.5	14	16	10	1.7	2.1	4
GWP 46-L		6	31	18.5	13.5	16	10	1.7	2.1	4
GWP 48-L		8	32.5	18.5	13.5	16	10	1.7	2.1	5
GWP 66-L	6	6	34	21	16.5	17.5	12.5	3.4	6.7	6
GWP 68-L		8	35.5	21	16.5	17.5	12.5	3.4	6.7	7
GWP 610-L		10	38	21	16.5	17.5	12.5	3.4	6.7	8
GWP 88-L	8	8	36.5	23.5	17.5	19	14.5	5.4	16.6	9
GWP 810-L		10	39	23.5	17.5	19	14.5	5.4	16.6	10
GWP 812-L		12	40	23.5	17	19	14.5	5.4	16.6	11
GWP1010-L	10	10	41.5	27	20	21.5	17.5	6.8	24.7	14
GWP1012-L		12	42.5	27	19.5	21.5	17.5	6.8	24.7	15
GWP1212-L		12	44.5	29.5	21.5	23	20	8.8	34	18

* For connection fitting, dimensions of CKD (GW Series) are shown.

Model No.	Applicable tube O.D. ø	Port size ø	L ₁	L ₂	A*	B	C	Min. bore size	Eff. X-sectional area mm ²	Wt. g
GWP 44-C	4	4	30	18.5	14	16	10	1.7	2.4	6
GWP 46-C		6	31	18.5	13.5	16	10	1.7	2.4	6
GWP 48-C		8	32.5	18.5	13.5	16	10	1.7	2.4	7
GWP 66-C	6	6	34	21	16.5	17.5	12.5	3.4	7.3	9
GWP 68-C		8	35.5	21	16.5	17.5	12.5	3.4	7.3	10
GWP 610-C		10	38	21	16.5	17.5	12.5	3.4	7.3	11
GWP 88-C	8	8	36.5	23.5	17.5	19	14.5	5.4	19.3	13
GWP 810-C		10	39	23.5	17.5	19	14.5	5.4	19.3	14
GWP 812-C		12	40	23.5	17	19	14.5	5.4	19.3	15
GWP1010-C	10	10	41.5	27	20	21.5	17.5	6.8	28.6	20
GWP1012-C		12	42.5	27	19.5	21.5	17.5	6.8	28.6	21
GWP1212-C		12	44.5	29.5	21.5	23	20	8.8	35.5	26

* For connection fitting, dimensions of CKD (GW Series) are shown.

F.R.L.
F.R.
F (Filtr)
R (Reg)
L (Lub)
Drain Separ
Mech Press SW
Res press exh valve
SlowStart
Anti-bac/Bac-remove Filtr
Film Resist FR
Oil-ProhR
Med Press FR
No Cu/ PTFE FRL
Outdrs FRL
Adapter Joiner
Press Gauge
CompFRL
LgFRL
PrecsR
VacF/R
Clean FR
ElecPneuR
AirBoost
Speed Ctrl
Silncr
CheckV/ other
Fit/Tube
Nozzle
Air Unit
PresCompn
Electro Press SW
ContactSW
AirSens
PresSW Cool
Air Flo Sens/Ctrl
WaterRSens
TotAirSys (Total Air)
TotAirSys (Gamma)
Gas generator
RefrDry
DesicDry
HiPolymDry
MainFiltr
Dischrg etc
Ending

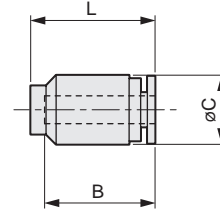
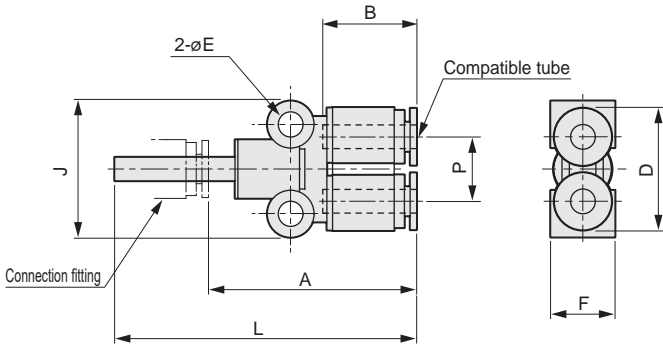


Dimensions: Y type plug/cap/manifold (single/with R)/manifold (single)

[Sales unit is 10 pcs./bag]

Y type plug
● GWP□-Y

Cap
● GWC□



Model No.	Compatible tube O.D. ø	Port size ø	L	A*	B	D	E	F	J	P	Min. bore size	Eff. X-sectional area mm ²	Wt. g
GWP 44-Y	4	4	51.5	35.5	16	21	4.2	11	23	11	1.7	2.1	8
GWP 46-Y		6	52.5	35	16	21	4.2	11	23	11	2.5	5.8	8
GWP 48-Y		8	54	35	16	21	4.2	11	23	11	2.5	5.8	8
GWP 66-Y	6	6	55.5	38	17.5	26	4.2	13.5	25.5	13.5	3.9	9.1	11
GWP 68-Y		8	57	38	17.5	26	4.2	13.5	25.5	13.5	4	15.9	11
GWP 610-Y		10	59.5	38	17.5	26	4.2	13.5	25.5	13.5	4	15.9	12
GWP 88-Y	8	8	60	41	19	30	4.2	15.5	27	15.5	5.9	22.2	14
GWP 810-Y		10	62.5	41	19	30	4.2	15.5	27	15.5	6	24.9	15
GWP 812-Y		12	63.5	40.5	19	30	4.2	15.5	27	15.5	6	24.9	16
GWP1010-Y	10	10	70	48.5	21.5	36	4.2	18.5	30	18.5	6.8	28.2	23
GWP1012-Y		12	71	48	21.5	36	4.2	18.5	30	18.5	8	35.5	23
GWP1212-Y		12	76	53	23	41	4.2	21	32	21	8.8	36.3	29

* For connection fitting, dimensions of CKD (GW Series) are shown.

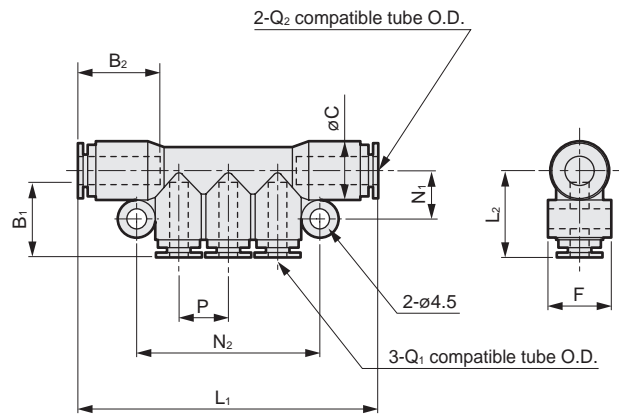
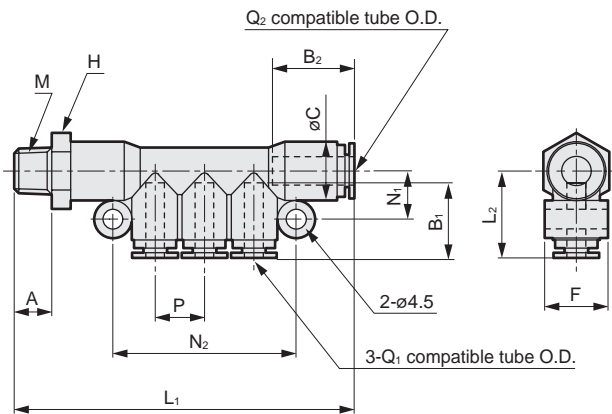
Model No.	Compatible tube O.D. ø	B	øC	L	Wt. g
GWC 4	4	16	10	18	2
GWC 6	6	17.5	12.5	19.5	3
GWC 8	8	19	14.5	21	4
GWC10	10	21.5	17.5	24	7
GWC12	12	23	20	26	9

Manifold (single/with R)

● GWMF□-□

Manifold (single)

● GWMF□-0



Model No.	Tube O.D. ø		M	H	L ₁	L ₂	A	B ₁	B ₂	C	F	N ₁	N ₂	P	Eff. X-sectional area mm ²	Wt. g
	Q1	Q2														
GWMF 46-6	4	6	R1/8	14	72.5	18.5	8	16	17.5	12.5	13.5	10.5	39	10.5	8.3	27
GWMF 48-8	4	8	R1/4	17	77.5	19.5	11	16	19	14.5	15.5	11.5	39	10.5	24.2	37
GWMF 68-8	6	8	R1/4	17	84.5	21	11	17.5	19	14.5	15.5	11.5	46.5	13	24.2	41
GWMF610-10	6	10	R3/8	19	91.5	22	12	17.5	21.5	17.5	18.5	13	46.5	13	35.5	56
GWMF810-10	8	10	R3/8	19	97.5	23.5	12	19	21.5	17.5	18.5	13	52.5	15	35.5	61

Model No.	Tube O.D. ø		L ₁	L ₂	B ₁	B ₂	C	F	N ₁	N ₂	P	Eff. X-sectional area mm ²	Wt. g
	Q1	Q2											
GWMF 46-0	4	6	64	18.5	16	17.5	12.5	13.5	10.5	39	10.5	7.9	16
GWMF 48-0	4	8	66	19.5	16	19	14.5	15.5	11.5	39	10.5	22	18
GWMF 68-0	6	8	73	21	17.5	19	14.5	15.5	11.5	46.5	13	22	23
GWMF610-0	6	10	78.5	22	17.5	21.5	17.5	18.5	13	46.5	13	30	28
GWMF810-0	8	10	84.5	23.5	19	21.5	17.5	18.5	13	52.5	15	30	33

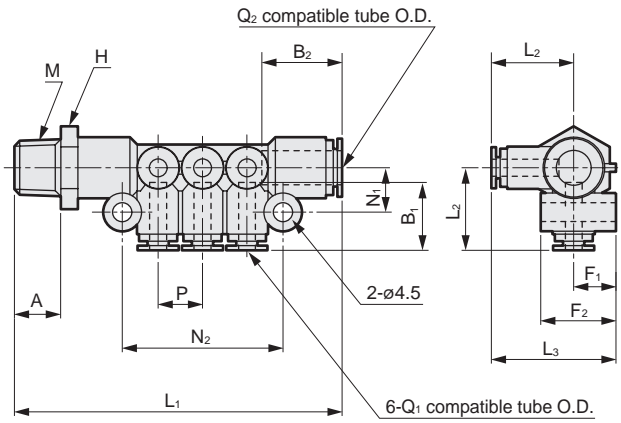
Dimensions: Manifold (double/with R)/manifold (double)/insert ring



[Sales unit is 10 pcs./bag]

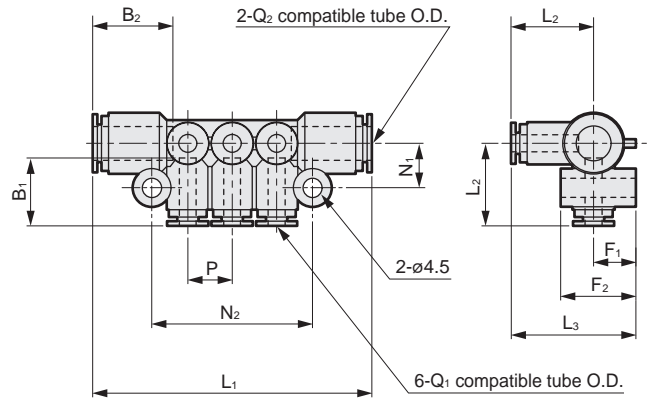
Manifold (double/with R)

● GWMF□-□-W



Manifold (double)

● GWMF□-0-W



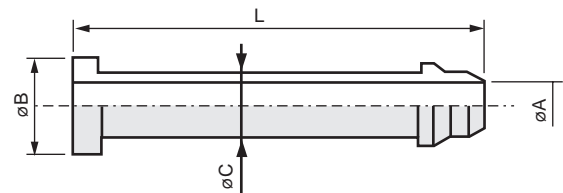
Model No.	Tube O.D. ø		M	H	L ₁	L ₂	L ₃	A	B ₁	B ₂	F ₁	F ₂	N ₁	N ₂	P	Ext. $\frac{1}{2}$ sectional area mm ²	Wt. g
	Q1	Q2															
GWMF 48-8-W	4	8	R1/4	17	77.5	19.5	29.5	11	16	19	10	17.5	10.5	38	10.5	24.3	43
GWMF 48-10-W	4	8	R3/8	17	79	19.5	29.5	12	16	19	10	17.5	10.5	38	10.5	23.5	48
GWMF610-10-W	6	10	R3/8	19	91.5	22	32	12	17.5	21.5	10	19.5	12	45	13	35.8	65
GWMF610-15-W	6	10	R1/2	19	94.5	22	32	15	17.5	21.5	10	19.5	12	45	13	35.8	78
GWMF812-10-W	8	12	R3/8	22	100	24.5	36	12	19	23	11.5	22	13	51	15	38.2	86
GWMF812-15-W	8	12	R1/2	22	103	24.5	36	15	19	23	11.5	22	13	51	15	38.2	95

Model No.	Tube O.D. ø		L ₁	L ₂	L ₃	B ₁	B ₂	F ₁	F ₂	N ₁	N ₂	P	Ext. $\frac{1}{2}$ sectional area mm ²	Wt. g
	Q1	Q2												
GWMF48-0-W	4	8	66	19.5	29.5	16	19	10	17.5	10.5	38	10.5	22	24
GWMF610-0-W	6	10	78.5	22	32	17.5	21.5	10	19.5	12	45	13	30.4	37
GWMF812-0-W	8	12	87	24.5	36	19	23	11.5	22	13	51	15	36	47

Insert ring (tube for U-92□ for U-95□) [Made-to-order product]

● INS-U□-1

Material: Copper alloy + electroless nickeling



● Tube for U-92** for U-95**

Model No.	øA	øB	øC	L	Wt. g
INS-U32-1	1.1	2.2	1.7	12.7	0.2
INS-U04-1	1.1	3	1.8	17	0.3
INS-U06-1	3	5	3.8	18	1
INS-U08-1	4	7	4.8	21	1.2
INS-U10-1	5.5	9	6.3	23.5	1.7
INS-U12-1	7	11	7.8	25	2.5

* Tube for NU is available made to order.

* Use an insert ring if tubes U-92, U-95□ or NU are used at vacuum pressure.

- F.R.L.
- F.R.
- F (Filtr)
- R (Reg)
- L (Lub)
- Drain Separ
- Mech Press SW
- Res press exh valve
- SlowStart
- Anti-bac/Bac-remove Filtr
- Film Resist FR
- Oil-ProhR
- Med Press FR
- No Cu/ PTFE FRL
- Outdris FRL
- Adapter Joiner Press Gauge
- CompFRL
- LgFRL
- PrecsR
- VacF/R
- Clean FR
- ElecPneuR
- AirBoost
- Speed Ctrl
- Silncr
- CheckV/ other
- Fit/Tube
- Nozzle
- Air Unit
- PrecsCompn
- Electro Press SW
- ContactSW
- AirSens
- PresSW Cool
- Air Flo Sens/Ctrl
- WaterRISens
- TotAirSys (Total Air)
- TotAirSys (Gamma) Gas generator
- RefrDry
- DesicDry
- HiPolymDry
- MainFiltr
- Dischrg etc
- Ending